



5.8GHz Active Integrated Antenna with LNA and PA

Description

BHWR580M is a complete RF Front-End solution from BHW's RF Active integrated Antenna (RFAiA™) product family. It integrates a low noise amplifier with ultra-low 1.7dB total noise figure and 10dB gain, a power amplifier with +18dBm maximum transmit power, and a pair of antennas with high efficiency and very stable VSWR under various PCB size and housing conditions, all into a compact 16x12mm design. BHWR580M can be easily surface-mounted to the main product board without requiring any additional impedance matching, resulting in significantly simplified RF design and shorter product development cycle.

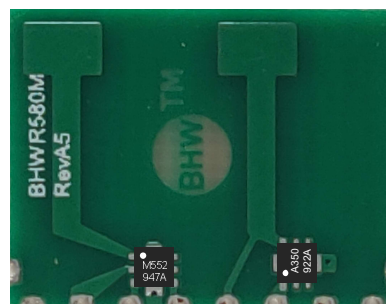
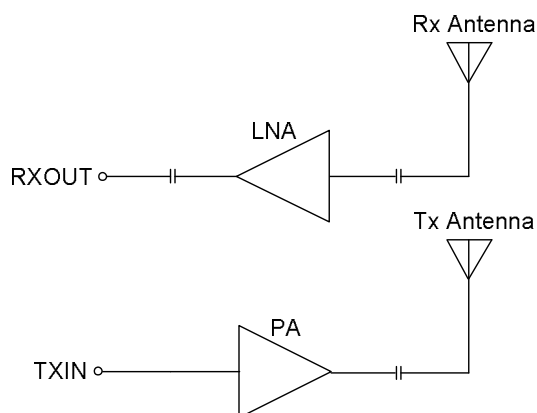
Key Features

- 5.7-5.85GHz Operation Frequency Range
- Rx Noise Figure: 1.7dB; Gain: 10dB (3.3V)
- Tx Power: +18dBm; Gain: 10dB (5V)
- No External Matching Required
- Robust ESD Protection
- Stable VSWR over PCB/Housing Variations
- Compact 16x12mm footprint for SMT

Key Applications

- 5.8GHz Wireless Audio/Video
- 5.8GHz Data Transmission
- UAV/Drones
- Remote Control
- Generic 5GHz TDD Radio Designs

Functional Block and Product Information



16x12x0.6mm PCB (with BHWA350&M552)



BHWR580M

Product Brief

5.8GHz Active Integrated Antenna with LNA and PA

For further information, please email to support@bhwtechnologies.com, or contact your local BHW Sales Rep or Distributor. We will send you the complete product datasheet as well as EVB related information.