



2.4GHz Two-Port Active Integrated Antenna with LNA and Switch

Description

BHWR250M is a complete RF Front-End solution from BHW's RF Active integrated Antenna (RFAiA™) product family. It integrates a low noise amplifier with ultra-low 1.6dB total noise figure and 14dB gain, a switch path with low loss of 0.7dB for optional insertion of a power amplifier for additional boost of transmit power, and a compact antenna with high efficiency and very stable VSWR under various PCB size and housing conditions, all into a compact 16x12mm design. BHWR250M can be easily surface-mounted to the main product board without requiring any additional impedance matching, resulting in significantly simplified RF design and shorter product development cycle.

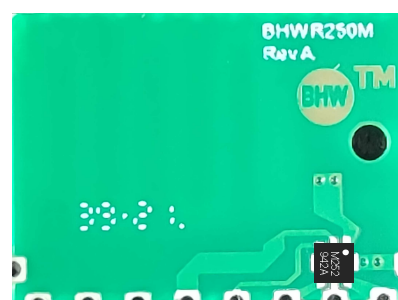
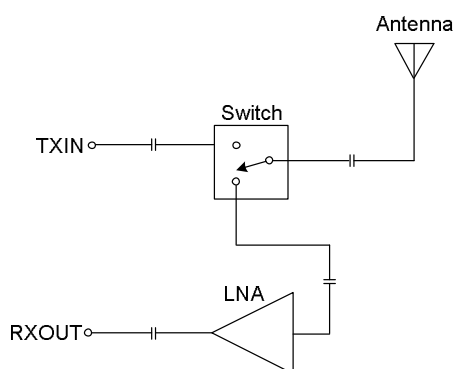
Key Features

- 2.4-2.5GHz Operation Frequency Range
- Operating Voltage: 1.2~4.2V
- Rx Noise Figure: 1.6dB; Gain: 14dB
- LNA Current: 13mA at Vdd=3.3V (Adjustable)
- Tx Insertion Loss: 0.7dB
- Robust ESD Protection
- Minimal and Relaxed RF Design for Main PCB
- Compact 16x12mm footprint for SMT

Key Applications

- Bluetooth/BLE System
- IEEE 802.11 WLAN System
- Wi-Fi/BT Module
- Wireless Audio/Video
- Remote Control
- Generic 2.4GHz TDD Radio Designs

Functional Block and Product Information



16x12x0.6mm PCB (with BHW252)



BHWR250M

Product Brief

2.4GHz Two-Port Active Integrated Antenna with LNA and Switch

For further information, please email to support@bhwtechnologies.com, or contact your local BHW Sales Rep or Distributor. We will send you the complete product datasheet as well as EVB related information.